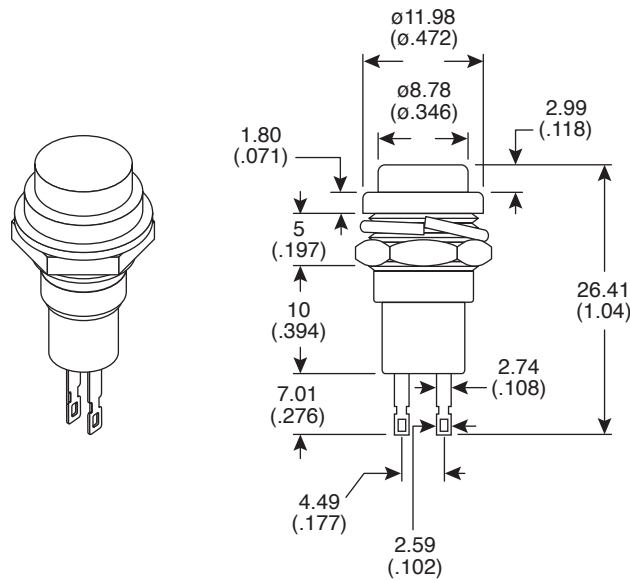


Dimensions: mm (In).



**Electrical Specifications:**

- Rating: 3A/125VAC
- Dielectric Strength: 1000VAC for 1 minute
- Insulation resistance: 100M $\Omega$  min. @ 500VDC
- Contact resistance: 50m $\Omega$  max.

**Materials:**

- Body, nut: nickel plated brass
- Washer: nickel plated steel
- Spring: piano wire
- Terminals, contacts: silver plated brass
- Knob, stopper: ABS
- Case: plastic

Mouser Stock No.	Button Color
104-0042-EVX	Red
104-0043-EVX	Black

**Mechanical Specifications:**

- Life: 5000 cycles min.

**Note:**

- RoHS Compliant by Exemption

**Pushbutton Switches**  
104-0042-EVX, 104-0043-EVX

